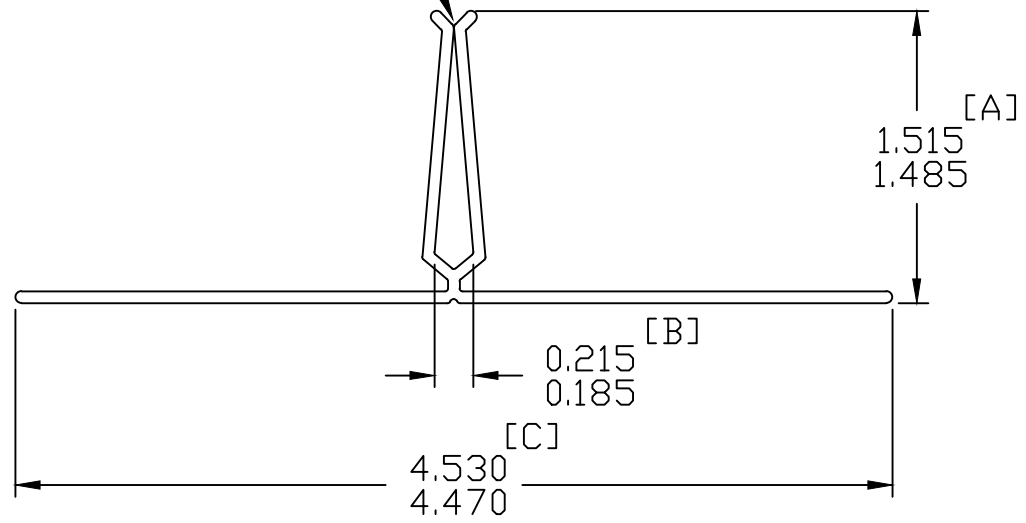


GAP SPECIFIED PER ORDER



WALL = .060 TYP.

REVISIONS		popco inc. MINNETONKA, MN		
NO.	REV.	TITLE		
1	Original drawing	4 1/2" SIGN FOOT		
		DATE	SCALE	DRAWING NO.
		10/22/96	FULL	EP1884
		BY	APRV'D	