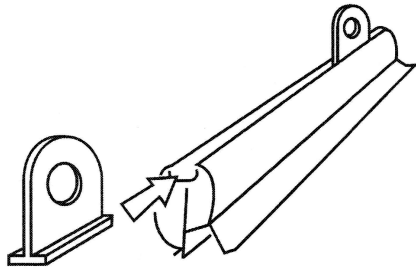


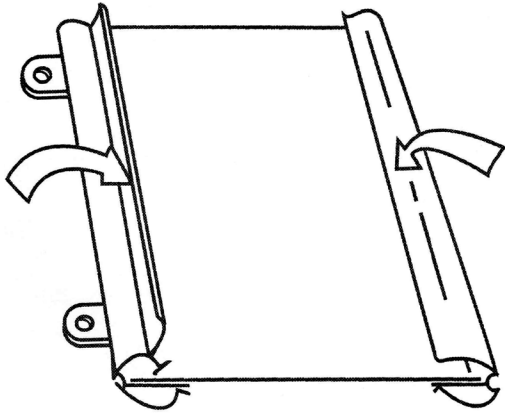
NX SNAPRAIL™



step 1

Insert banner clips into both ends of the NX SNAPRAIL™ to create hanging points.

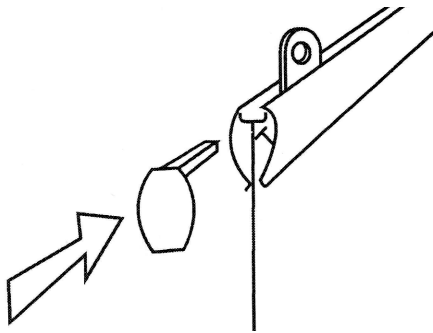
This is only necessary on the top NX SNAPRAIL™.



step 2

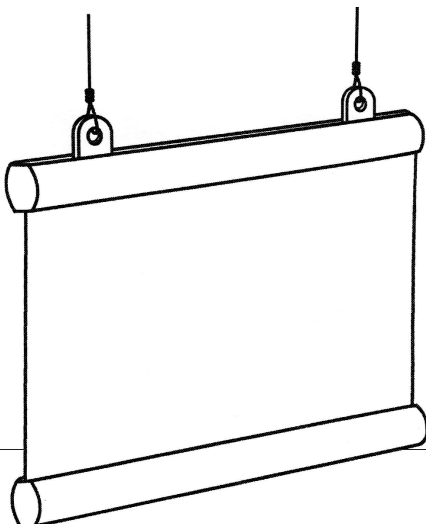
Place the NX SNAPRAIL™ on a flat surface. Open the hinged “doors” and fully insert the sign stock into the top and bottom pieces of NX SNAPRAIL™. Close the hinged “doors” to lock the sign place. Start by pressing down in the center and working towards the outside.

NOTE: NX SNAPRAIL™ is designed to close easily only when sign stock is inserted as shown. Use on sign stock to to .090” thick.



step 3

Insert the NX end caps in the ends of both the top and bottom pieces of NX SNAPRAIL™.



step 4

Hang your completed sign. The completed unit should resemble this illustration, which shows a NX SNAPRAIL™ in position on both the top and bottom of the sign.

PATENTED