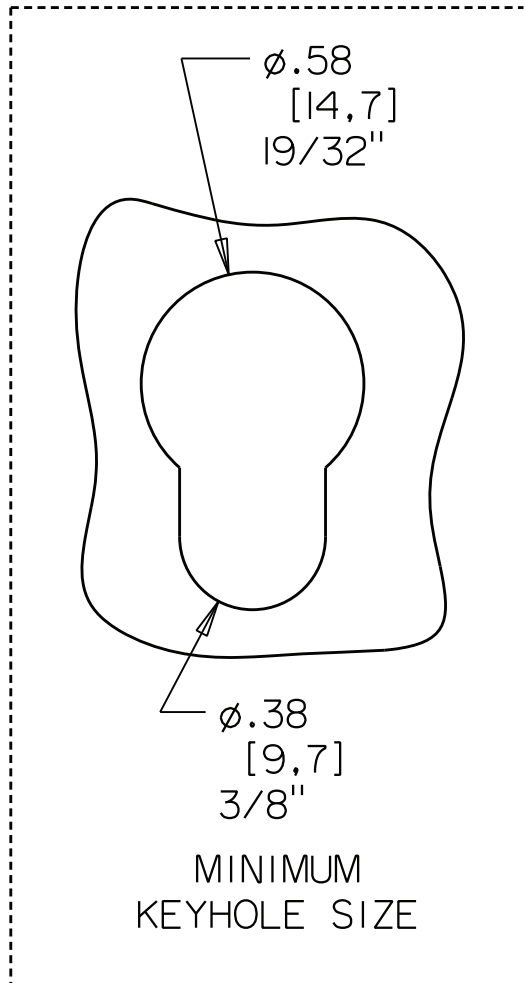
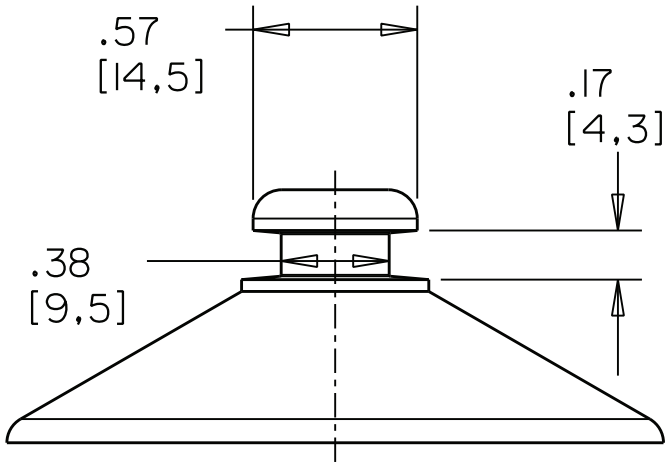


ACTUAL SIZE

Ø 2.4" [61 MM]  
APPROX.  
WHEN APPLIED



POP CO, INC.  
MINNETONKA, MN  
MADE IN USA

|              |                    |
|--------------|--------------------|
| PART NO:     | SCM-240            |
| DESCRIPTION: | 2-3/8" SUCTION CUP |
| MATERIAL:    | FLEXIBLE PVC       |
| COLOR:       | CLEAR              |
| REV. DATE:   | 29/APRIL/2008      |